



PEGAS

Swing Gate



PEGAS - SWING GATE

The PEGAS swing gate is the most suitable solution for controlled wheelchair access, moving of larger items or for evacuation purposes. It can be installed as a single gate or together with turnstiles or speed gates.

The PEGAS gate can be controlled by access control system or can be under the supervision of operator - for e.g. from the reception desk. Moreover the PEGAS gate is available in double/twin version for even wider passage.

The PEGAS gate can also be customized - you can choose from round or rectangular design, different height of glass wings or powder coated finish in RAL.



CONTENTS

4	PEGAS GLE/GL	9	Specification Overview
5	PEGAS HG	10	Twin / Double Gate
6	PEGAS SF	12	Options & Accessories
7	PEGAS SF-S	13	PEGAS Top Options
8	PEGAS J	14	Project Design



PEGAS GLE/GL

Type

Swing gate with glass wing
 Opening angle in each direction up to 90° (PEGAS GLE)
 Opening angle up to 270° (PEGAS GL)
 Round column shape
 Rectangular column shape (PEGAS GLE only)*

Operating Environment

Indoor

Drive Mechanism

Fail-Safe

Emergency Mode

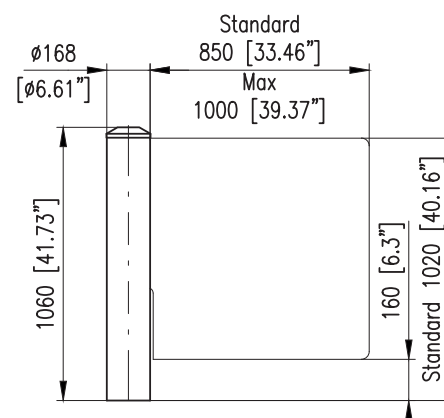
Open automatically in the exit direction*

Optional Accessories

Double gate - synchronous opening
 Twin gate - individual opening
 Optional Top** (PEGAS GLE only)
 Free Exit radar / Safety radar (PEGAS GLE only)
 Alternative surface finishes
 RF remote control
 EasyTouch / TouchPanel / TMON SW
 USB convertor / Ethernet convertor
 Power supply backup
 Emergency Pushbar
 Ramp LT



Column height	1 060 mm / 41.73"
Column diameter	168 mm / 6.61" (optional 204 mm / 8.03")
Barrier height	1 020 mm / 40.16"
Barrier width - Standard	850 mm / 33.46"
Barrier width - Max	1 000 mm / 39.37"
Column	brushed stainless steel
Barrier	glass panel (8 mm/0.31", tempered)



* Optional Accessories ** Optional Top - page 13



PEGAS HG

Type

Swing gate with high glass wing
 Opening angle in each direction up to 90°
 Round column shape
 Rectangular column shape*

Operating Environment

Indoor

Drive Mechanism

Fail-Safe

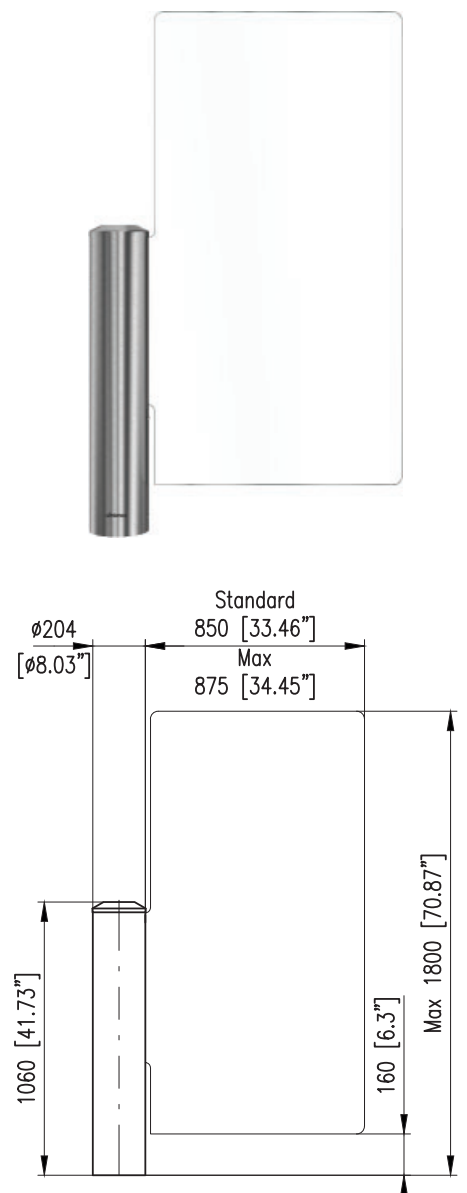
Emergency Mode

Open automatically in the exit direction*

Optional Accessories

Double gate - synchronous opening
 Twin gate - individual opening
 Optional Top**
 Free Exit radar / Safety Radar
 Alternative surface finishes
 RF remote control
 EasyTouch / TouchPanel / TMON SW
 USB convertor / Ethernet convertor
 Power supply backup
 Ramp LT

Column height	1 060 mm / 41.73"
Column diameter	204 mm / 8.03"
Barrier height	1 800 mm / 70.87"
Barrier width - Standard	850 mm / 33.46"
Barrier width - Max	875 mm / 34.45"
Column	brushed stainless steel
Barrier	glass panel (8 mm/0.31", tempered)



* Optional Accessories ** Optional Top - page 13



PEGAS SF

Type

Swing gate with stainless steel tube wing
Opening angle up to 270°
Round column shape

Operating Environment

Indoor
Outdoor*

Drive Mechanism

Fail-Safe

Emergency Mode

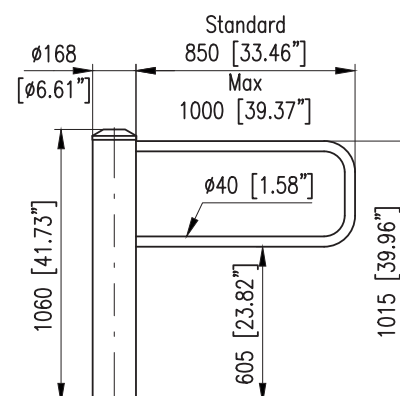
Open automatically in the exit direction*

Optional Accessories

Outdoor package
Double gate - synchronous opening
Twin gate - individual opening
Optional Top**
Free Exit radar / Safety Radar
Alternative surface finishes
RF remote control
EasyTouch / TouchPanel / TMON SW
USB convertor / Ethernet convertor
Power supply backup
Ramp LT



Column height	1 060 mm / 41.73"
Column diameter	168 mm / 6.61" (optional 204 mm / 8.03")
Barrier height	1 015 mm / 39.96"
Barrier width - Standard	850 mm / 33.46"
Barrier width - Max	1 000 mm / 39.37"
Column	brushed stainless steel
Barrier	brushed stainless steel





PEGAS SF-S

Type

Swing gate with stainless steel tube wing and infill glass panel
Opening angle up to 270°
Round column shape

Operating Environment

Indoor
Outdoor*

Drive Mechanism

Fail-Safe

Emergency Mode

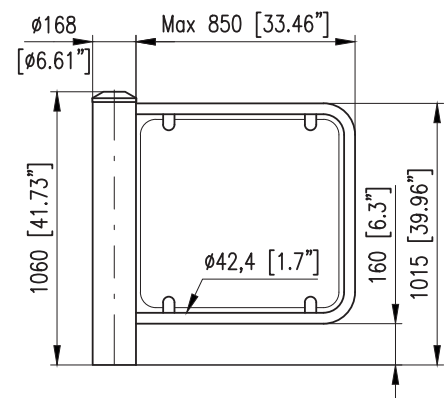
Open automatically in the exit direction*

Optional Accessories

Outdoor package
Double gate - synchronous opening
Twin gate - individual opening
Optional Top**
Free Exit radar / Safety Radar
Alternative surface finishes
RF remote control
EasyTouch / TouchPanel / TMON SW
USB convertor / Ethernet convertor
Power supply backup
Ramp LT



Column height	1 060 mm / 41.73"
Column diameter	168 mm / 6.61" (optional 204 mm / 8.03")
Barrier height	1 015 mm / 39.96"
Barrier width - Max	850 mm / 33.46"
Column	brushed stainless steel
Barrier	brushed stainless steel glass infill panel (8,4 mm/0.33" laminated)





PEGAS J

Type

Swing gate with stainless steel tube wing
 Opening angle up to 270°
 Round column shape

Operating Environment

Indoor
 Outdoor*

Drive Mechanism

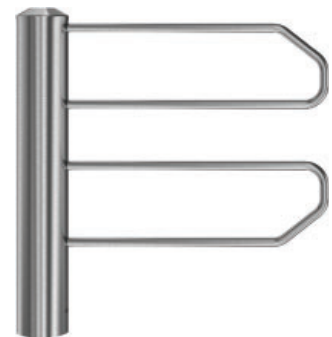
Fail-Safe

Emergency Mode

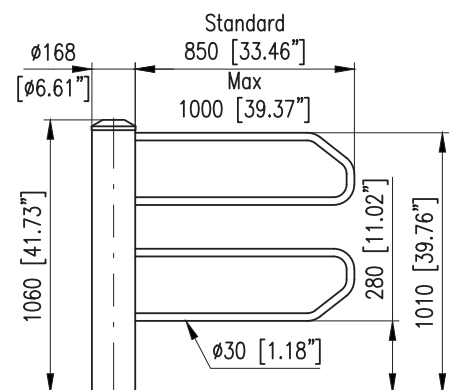
Open automatically in the exit direction*

Optional Accessories

Outdoor package
 Double gate - synchronous opening
 Twin gate - individual opening
 Optional Top**
 Free Exit radar / Safety Radar
 Alternative surface finishes
 RF remote control
 EasyTouch / TouchPanel / TMON SW
 USB convertor / Ethernet convertor
 Power supply backup
 Ramp LT



Column height	1 060 mm / 41.73"
Column diameter	168 mm / 6.61" (optional 204 mm / 8.03")
Barrier height	1 015 mm / 39.96"
Barrier width - Standard	850 mm / 33.46"
Barrier width - Max	1 000 mm / 39.37"
Column	brushed stainless steel
Barrier	brushed stainless steel



Swing Gate Model PEGAS

PEGAS GLE/GL



PEGAS HG



PEGAS SF



PEGAS SF-S



PEGAS J



Type					
Glass wing / tube wing / tube wing with glass infill	• / - / -	• / - / -	- / • / -	- / - / •	- / • / -
Round shape	•	•	•	•	•
Dimensions					
Column height (mm / inches)	1 060 / 41.73*	1 060 / 41.73*	1 060 / 41.73*	1 060 / 41.73*	1 060 / 41.73*
Column diameter (mm / inches)	168 / 6.61*	204 / 8.03*	168 / 6.61*	168 / 6.61*	168 / 6.61*
Barrier height (mm / inches)	1 020 / 40.16*	1 800 / 70.87*	1 015 / 39.96*	1 015 / 39.96*	1 010 / 39.76*
Barrier width standard (mm / inches)	850 / 33.46*	850 / 33.46*	850 / 33.46*	850 / 33.46*	850 / 33.46*
Barrier width maximum (mm / inches)	on request	875 / 34.45*	1 000 / 39.37*	850 / 33.46*	900 / 35.43*
Wheelchair access	•	•	•	•	•
Standard Material					
Column: brushed stainless steel	•	•	•	•	•
Barrier: brushed stainless steel / glass panel	- / •	- / •	• / -	• / •	• / -
Safety Features					
Fail-Safe motor	•	•	•	•	•
Free Exit Radar* / Safety Radar*	• / -	• / •	• / •	• / •	• / •
Optional Design					
Flat Top	PEGAS GLE only	•	•	•	•
RFID Top	PEGAS GLE only	•	•	•	•
Glass Top	PEGAS GLE only	•	•	•	•
Edge Light	PEGAS GLE only	•	•	•	•
Double gate / Twin gate	• / •	• / •	• / •	• / •	• / •
204 mm / 8.03" column diameter	•	Standard	•	•	•
Rectangular shape	PEGAS GLE only	•	-	-	-
Custom surface finish	•	•	•	•	•
Communication Interface					
RS485 / USB* / Ethernet*	• / • / •	• / • / •	• / • / •	• / • / •	• / • / •
Operating Environment					
Indoor / Outdoor	• / -	• / -	• / •	• / •	• / •
Extreme weather conditions	-	-	-	-	-
Power Supply Input					
13.8 VDC	•	•	•	•	•
Optional Remote Control					
Remote control (EasyTouch, TouchPanel, RF remote control)	•	•	•	•	•
TMON software application (remote control from any PC) / Passage Scheduler (automatic planner)	•	•	•	•	•
Optional Mounting Accessories					
Ramp LT / Mounting console	• / •	• / •	• / •	• / •	• / •

* • Available

" - " Not Available

* Optional Accessories

Twin/Double Gate

Twin gate - individual gate opening and closing

Double gate - synchronous gate opening and closing





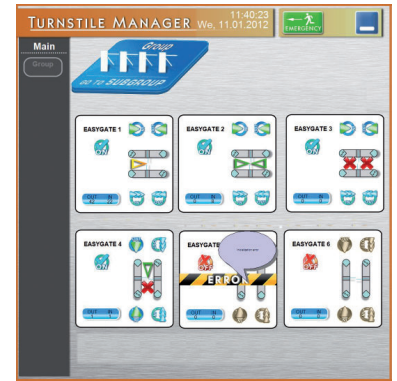
Options & Accessories



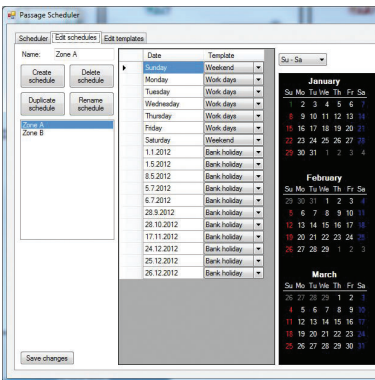
EASY::TOUCH - turnstile remote control console with an intuitive graphical user interface



TOUCH::PANEL - Touch-button panel for remote control of turnstiles and gates



TMON SOFTWARE - software application for easy remote control of the turnstiles and gates



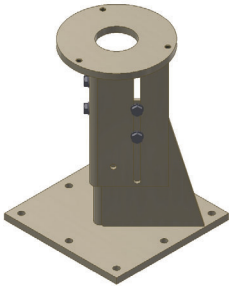
PASSAGE SCHEDULER - software planner for automatic time programming of turnstile operation mode



RF REMOTE CONTROL - for convenient remote opening of gates



RAMP LT - for installation on floor where drilling/cutting is not allowed



MOUNTING CONSOLE - mounting console for raised/suspended floor



ALTERNATIVE SURFACE FINISH - polished stainless steel / brushed stainless steel / etc.



GLASS INFILL BARRIER - convenient way to aesthetically enclose the secure areas from public area



RECTANGULAR DESIGN - available only for PEGAS GLE and PEGAS HG



OUTDOOR PACKAGE - special package for outdoor application (heating module + IP protection)

PEGAS Top Options



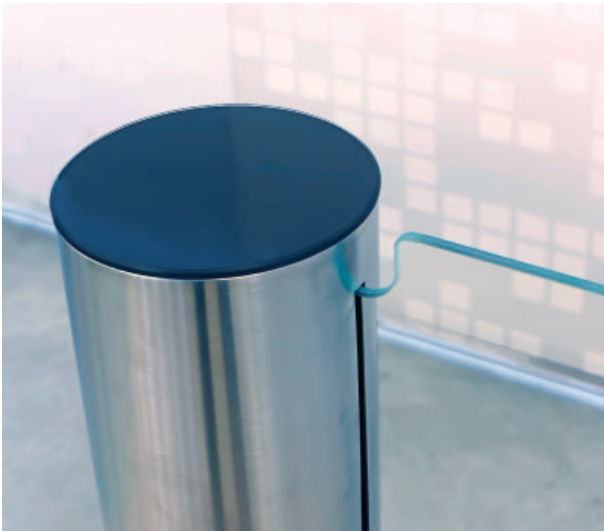
PEGAS FLAT TOP

A Flat Top of column made of stainless steel.



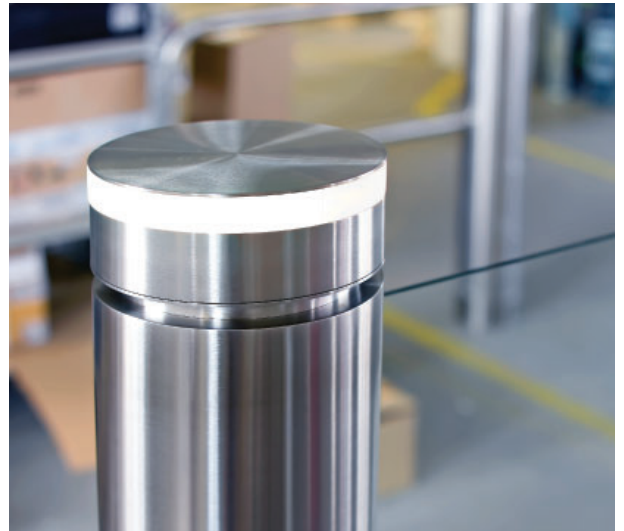
PEGAS RFID TOP

A Flat of column with integrated RFID reader bracket and a glass top with an access symbol.



PEGAS GLASS TOP

Black glass top of column.



PEGAS EDGE LIGHT

Integrated LED light of column.



PEGAS TOP RADAR

White plexiglass top module for integration of safety radar, exit radar or proximity reader.

Project Design

We always seek for the perfect solutions for your projects. The PEGAS swing gate can be customized according to the turnstile or interior design. As a unique solution we can provide the square shape of the PEGAS column. Also we can provide the PEGAS swing gate in different RAL colours or materials.



Customized PEGAS gate with stainless steel infill panel



PEGAS with rectangular column design



PEGAS GLE in white RAL



Double PEGAS gate with different width of glass wings and RFID Top



ed. XII-2018

Specifications are subject to change without prior notice.



COMINFO, a.s.

Nabrezi 695, 760 01 Zlín - Prstné, Czech Republic

T +420 603 151 333

cominfo@cominfo.cz

www.cominfo.eu

cominfo
security first