

## EasyGate Superb

The slimmest, fully equipped speed gate in the world.



Minimal dimensions.  
Maximum security.



## Intelligent Light Guidance

Coloured LED illumination of the top lid enables smart settings of light navigation on the EasyGate Superb. In addition to standard navigation functions, various lighting effects such as arrow, dots, blending colours and much more can be set. The selection of colours is unlimited.



## Safety Sensors

24 pairs of Top and Bottom optical sensors for tailgating and crossover detection detect the movement of people to ensure security and safety. The EasyGate Superb is not only smart enough to detect a person, it also detects a person with luggage, a wheelchair or a pram.



## Service and Maintenance

The EasyGate Superb has been built with long and reliable service in mind. A unique self-diagnostics mode enables remote access and control of the speed gate. Thanks to this feature, the EasyGate Superb will report maintenance cycles and any act of vandalism.

# Key Features



## Integrated Card Collector with Return Function

The EasyGate Superb is the only speed gate on the market with such a slim design yet featuring the ability to integrate a card collector with a card return function. Upon request, a 3<sup>rd</sup> party card reader or barcode scanner can be built into your EasyGate Superb.



## Customized Design

The EasyGate Superb can be customized according to your requirements. Any RAL colour can be selected. Various finishes such as brushed stainless steel, polished stainless steel or bronze stainless steel can be selected. The cabinet top lid can also be customized in any colour, with the option to personalize this with your company logo.



## Variable Sound Alarms

Any sound or even a voice alarm can be defined. Visitors can be welcomed by a unique input sound or voice, and you can customize your alarm sounds with any corporate message. Customizable sound or voice alarms can be linked to any EasyGate Superb status.

**Standard Materials and Colours**

Cabinet	Brushed Stainless Steel
Top Lid	Tempered Black Glass
Barriers	Tempered Glass Panels (10 mm/0.39")
Side Infill Panel	Tempered Glass Panels (6 mm/0.24")

**Options**

Cabinet	Any RAL Colours, Alternative Surface Finishes
Top Lid	Any RAL Colours
Barriers	990 mm - 1.800 mm

**Operating Environment**

Indoor

**Drive Mechanism**

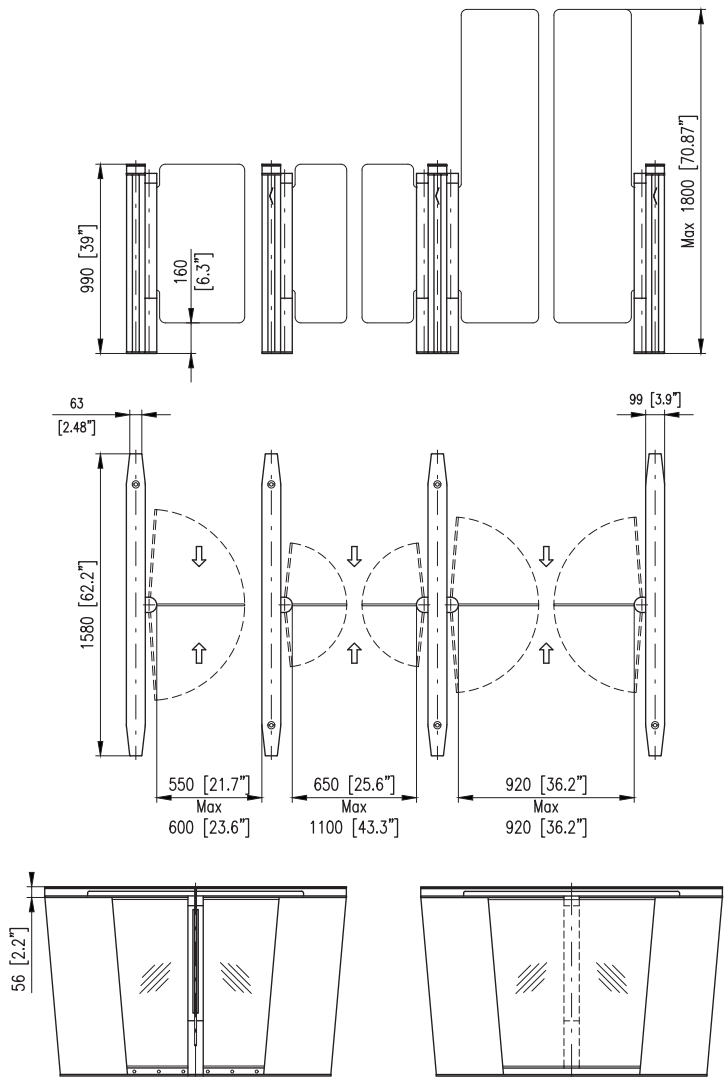
Fail-Safe

**Emergency Mode**

Open automatically in the exit direction

**Optional Accessories**

- RFID reader bracket (flush mounted)
- BarCode scanner
- Passage Light
- Access Light
- Lane Light
- WAV player
- USB convertor / Ethernet convertor
- RF remote control
- EasyTouch / TouchPanel / T-MON SW
- SuperCap (emergency power back-up)
- Integration of Card collector
- Ramp - Installation without drilling



Specifications are subject to change without prior notice.



**COMINFO, a.s.**

Nabrezi 695, 760 01 Zlin - Prstne, Czech Republic

T +420 603 151 333

[www.easygatesuperb.com](http://www.easygatesuperb.com)

