

Swing Lane Barrier

Model SLS-SS-01 , SLS-02 Series

Passage between 550 mm to 900 mm



Robstur Swing Lane barrier is an innovative pedestrian control technology that designed to achieve best balance between quality, performance and affordability. SLS series provide a combination of reliable mechanical as well as electronic restriction for unauthorized visitor while still maintain a welcoming atmosphere. Access control and time attendance reader can be integrated into Swing Lane barrier to improve accuracy of reporting.

Swing Lane barriers are available in single lane and multi lane configuration with combination of standard pedestrian and wide handicapped lane. Flap barrier is designed using DC brushless Motor and highly reliable sensors to make it safe and secure.

Features:

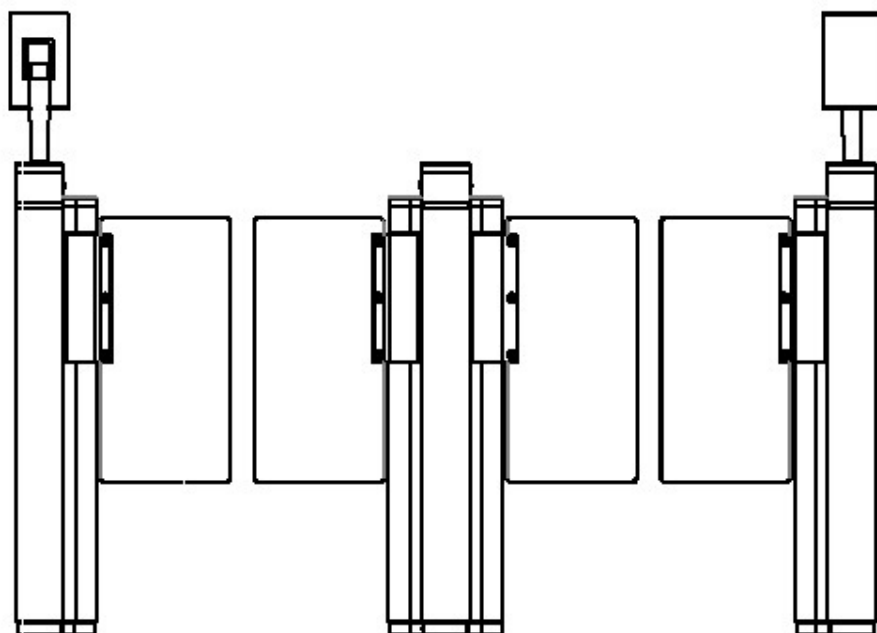


- ✓ Adjustable Speed
- ✓ Wide opening to 900 MM
- ✓ Safety at highest standard
- ✓ Automatic opening in case of emergency and power failure with auto reset
- ✓ Fail safe in power off condition
- ✓ Fastest passage speed

Specifications:

- Drive : DC Brushless Motor based highly reliable drive
- IR Sensor for safety of person standing between two cabinets
- Edge light on the rotating element with blue color / Green color / red color
- Stainless Steel grade 304 (optional 316) cabinet
- Flap/Wings: Acrylic OR Polycarbonate 10 mm OR Glass (optional)
- Cabinet Width: from 125 to 200 MM and Height: 1000 MM for standard and wide lane
- Power : 230 VAC @ single Phase , 50 Hz,
- Passage width: 600 mm for pedestrian and 900 for wide lane used for handicapped lane
- Normally closed mode of operation
- Opening time: 0.5 Second for standard lane (adjustable)
- Long life cycle & low operating cost .
- Fail safe in case of power failure.
- Can be integrated with any third-party access control.
- Micro-Controller based operation with RS 485 Port Or optional Lan Connectivity

Typical arrangement with face recognition reader



**Pedestrian Lane – 600 MM Passage
Model SLS-SS-01**



**Wide Lane – 900 MM Passage Model
SLS-SS-02**



Note:

Cabinet width is 125 MM minimum and can go up to 200 mm, if lift display module is to be mounted on it.

RFID reader can be mounted below the black acrylic surface. For bio-metric reader mounted stand or enclosure can be customized as required.

ROBSTUR AUTOMATION

Survey No. 25/5 B, Sinhgad Road, Nanded Phata, Vadgaon Bk, Pune - 411041,

Email - info@robstur.com, Phone: +91-9423685581